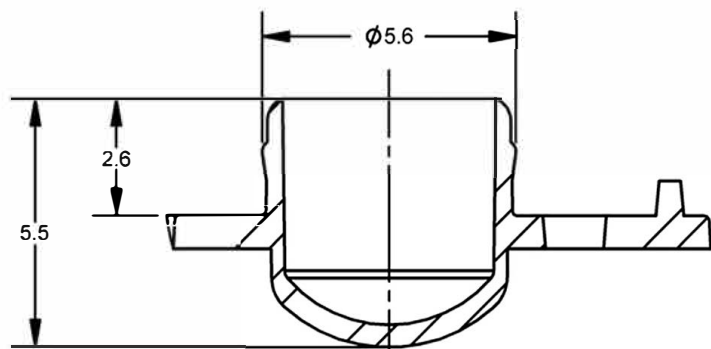
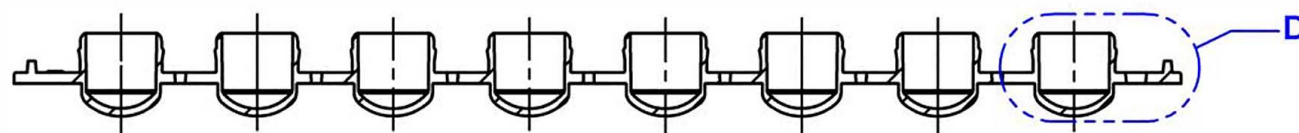
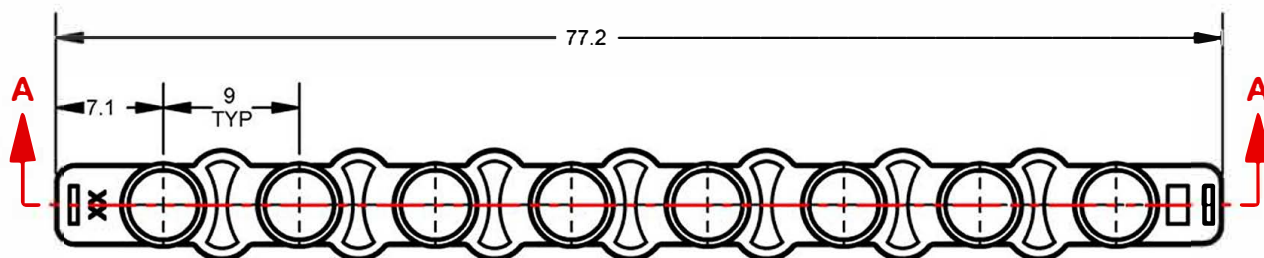
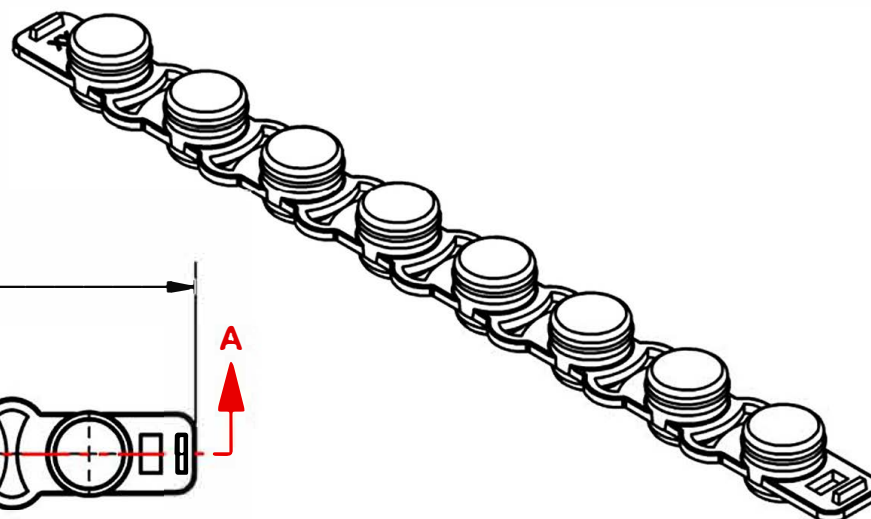




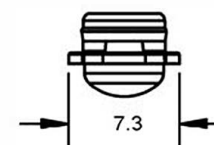
**westburg**  
LIFE SCIENCES



DETAIL D  
SCALE 6 : 1  
TYP



SECTION A-A  
SCALE 2 : 1



## WB 0265 8-STRIP DOME CAP

Arnhemseweg 87  
3832 GK Leusden  
The Netherlands

P.O. Box 214  
3830 AE Leusden  
The Netherlands

+31 33 495 0094  
info@westburg.eu  
www.westburg.eu

IBAN NL78RABO0168460297  
NL005049532B01  
KvK 31024246

